


# PRODUCT SHEET

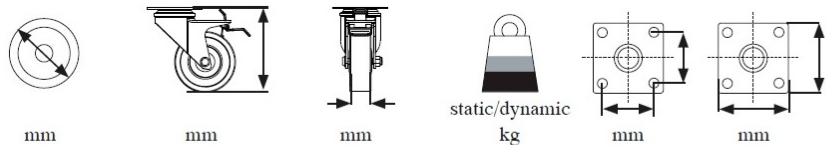
## Description:

Fork Castor "Brutus" ø75mm, W/Top PL 65x65mm, W/Full Brake, MH 100mmSoft Rubber Track, cc:50X50mm, Brake Blocks the Wheel, & Plate Brake made of 100 % Metal

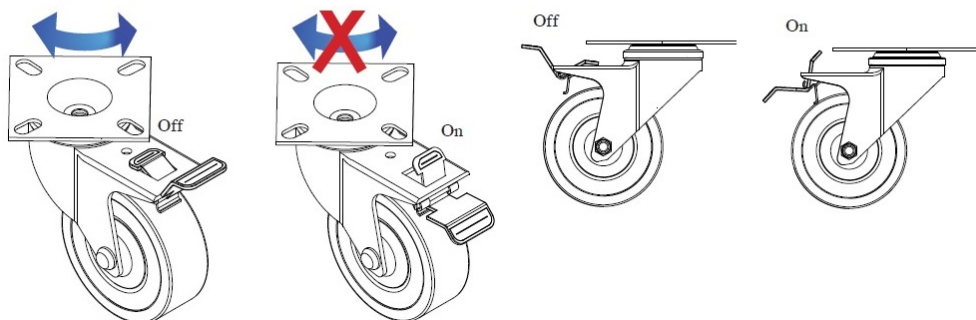
## Item number:

08.12.167-1

Units	Box	Carton	HS Code	Barcode
Pcs.	1	50	8302200090	
				5704866473583



75      100      21      60/45      45 x 45      65 x 65 x 2



SISO A/S  
Mileparken 11  
DK-2740 Skovlunde  
Denmark  
VAT: DK 24786013

Phone +45 45 830 900  
[www.siso.dk](http://www.siso.dk)  
[siso@siso.dk](mailto:siso@siso.dk)

Danske Bank  
Nytorv Branch  
Copenhagen  
SWIFT: DABADKKK

Account no.  
4180 3112 112936  
IBAN Account  
DK7230003112112936